

SERIES G BRASS AND BRONZE GATE VALVES



**Model 210
Brass Gate Valve**

Features

- Non-rising stem.
- Standard NPT (National Pipe Thread) for easy installation.
- 200 PSI WOG (Water, Oil, Gas) rated.
- Corrosion resistant brass construction.
- Solid wedge disc.
- Graphite stem packing ensures smooth operation.



**Model 220
Brass Gate Valve**

Features

- Full port design for maximum flow.
- Standard NPT (National Pipe Thread) for easy installation.
- Cast brass body.
- Packing gland with graphite stem packing ensures smooth operation.
- 200 PSI WOG (Water, Oil, Gas) rated.
- Heavy Cast Iron star handwheel.



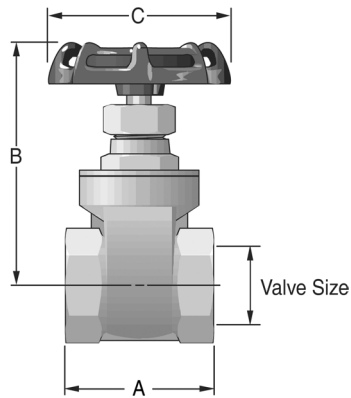
**Model 230
Bronze Gate Valve**

Features

- Full port design for maximum flow.
- Cast Bronze construction for superior corrosion resistance.
- 250 PSI WOG (Water, Oil, Gas) rated.
125 PSI SWP (Saturated Steam) rated.
- Non-rising stem design.
- Standard NPT (National Pipe Thread) for easy installation.
- Solid wedge disc.

SPECIFICATIONS

MODEL 210 STANDARD PORT BRASS GATE VALVE



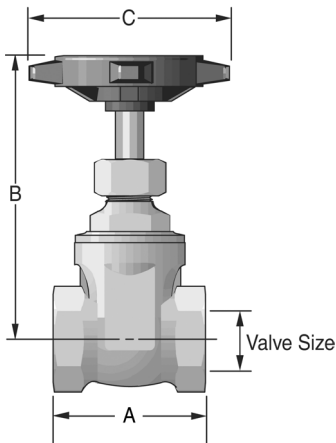
Pressure Rating

200 PSI WOG (Water, Oil, Gas)

Dimensional Information

Valve Size	Dimensions (Inches)		
	A	B	C
1/2"	1.70	2.62	2.00
3/4"	1.80	2.94	2.16
1"	2.12	3.41	2.38
1 1/4"	2.35	3.88	2.88
1 1/2"	2.50	4.50	2.95
2"	2.75	5.16	3.12
2 1/2"	3.44	6.31	3.90
3"	3.75	7.50	4.28
4"	4.50	9.37	5.00

MODEL 220 FULL PORT BRASS GATE VALVE



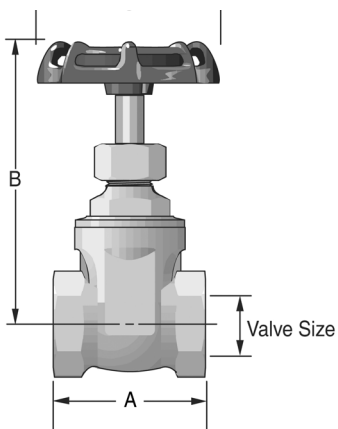
Pressure Rating

200 PSI WOG (Water, Oil, Gas)

Dimensional Information

Valve Size	Dimensions (Inches)		
	A	B	C
1/4"	1.61	2.76	2.12
3/8"	1.61	2.76	2.12
1/2"	1.69	2.83	2.12
3/4"	1.85	3.25	2.48
1"	2.13	3.86	2.40
1 1/4"	2.40	4.75	3.20
1 1/2"	2.39	5.12	3.20
2"	2.72	5.87	3.40
2 1/2"	3.75	7.87	4.00
3"	3.98	8.75	4.75
4"	4.57	10.16	5.75

MODEL 230 FULL PORT BRONZE GATE VALVE



Pressure Rating

125 PSI SWP (Saturated Steam)

Dimensional Information

Valve Size	Dimensions (Inches)		
	A	B	C
1/2"	1.75	3.50	2.61
3/4"	1.85	3.37	2.61
1"	2.15	3.94	2.41
1 1/4"	2.37	4.68	2.83
1 1/2"	2.54	5.12	3.21
2"	2.82	6.13	3.29
2 1/2"	3.55	7.75	3.92
3"	3.98	8.50	5.15
4"	4.58	10.25	5.90



Fresno Valves & Castings, Inc.
7736 East Springfield Avenue
P.O. Box 40, Selma, CA 93662, U.S.A.
(800) 333-1658
www.fresnovalves.com